

Micaver[®] MV 178

Since 1922, Saint-Gobain Quartz formerly known as Quartz & Silice is a solution provider to Aeronautic, Defense and Railway industries. Based in Nemours (France) and also in Louisville, Kentucky (US), Saint-Gobain Quartz is recognized as world-wide leader in the production of mica-glass insulators which are commercialized under the brand name Micaver[®].

Micaver[®] insulators are made from glass frit and mica sheets molded around two metallic inserts. This composite material allows to mechanically hold two parts together while insulating them electrically. These functions are maintained under various environmental conditions (vibrations, rain, etc.), thermal shocks and high operating temperature.

Micaver[®] insulators are classified A1 and therefore do not burn (EN45545-2). In order to prevent most rusting issues in salty and aggressive environment, Saint-Gobain Quartz offers Micaver[®] insulators with 304L Stainless Steel inserts which meet all the requirements of NF F 61-016.

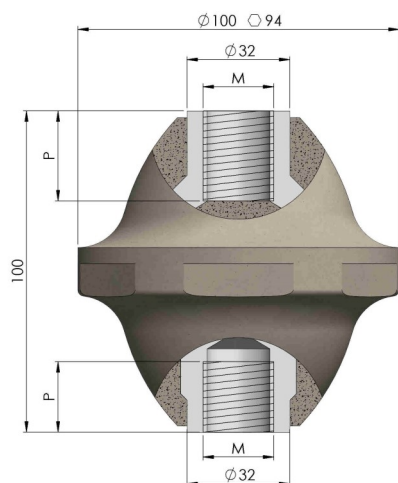


NOMENCLATURE AND TECHNICAL DATA

The following table gives details of standard MV 178 products:

Models	Inserts			Type	M (mm)	P (mm)	L (mm)	Pitch	Weight (kg)	Creeping dist. (mm)
	Nickel coated	SS 304L								
MV 178	A	√	√*	2 tapped holes	22	22		250	1.59	127.5
	B	√	√*	2 tapped holes	16	22		200	1.66	

* Special MOQ & lead-time. Please contact us for further information.



MV 178 A/B

Characteristics	Description	Value	Unit
Mechanical	Tensile strength	≥ 7000	daN
	End flexural strength (≥ M16)	≥ 1400	daN
	Compressive strength	≥ 10000	daN
	Torsion resistance (≥ M16)	≥ 20	daN.m
Electrical*	Arc-over voltage (dry surface)	≥ 38	kV
	Breakdown voltage	≥ 50	kV
	Insulation resistance (1000 V)	≥ 4x10 ⁵	MΩ
	Capacitance (1 kHz)	≈ 40	pF

*Test conditions: Voltage: 35 kV - Frequency: 50 Hz - Duration: 1 min

The information given in this data sheet is believed to be accurate and reliable. However it is the users responsibility to determine whether the material is suitable for their particular application, process and/or environment. This data sheet may be modified without prior notice. Micaver[®] is a registered trademark of Saint-Gobain Quartz S.A.S. Version MV178-A4-EN-10/20 - All rights reserved

<https://www.quartz.saint-gobain.com/>

SAINT-GOBAIN QUARTZ S.A.S.
 B.P. 102
 77793 Nemours CEDEX, FRANCE
 Tel : +33 (0)1 64 45 45 00
 E-Mail : quartzsalesfr@saint-gobain.com
 SIRET : 562 053 314 00075

SAINT-GOBAIN QUARTZ U.S.A.
 7201 Distribution Drive
 40258 Louisville, Kentucky, USA
 Tel : +1 502-933-1005
 E-Mail : quartz_sales.usa@saint-gobain.com